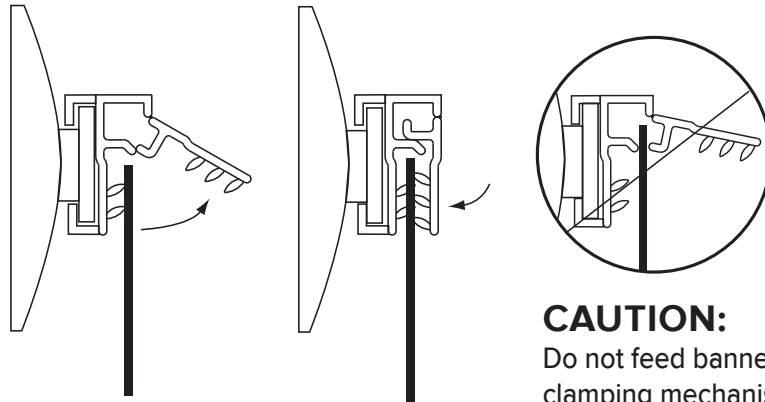
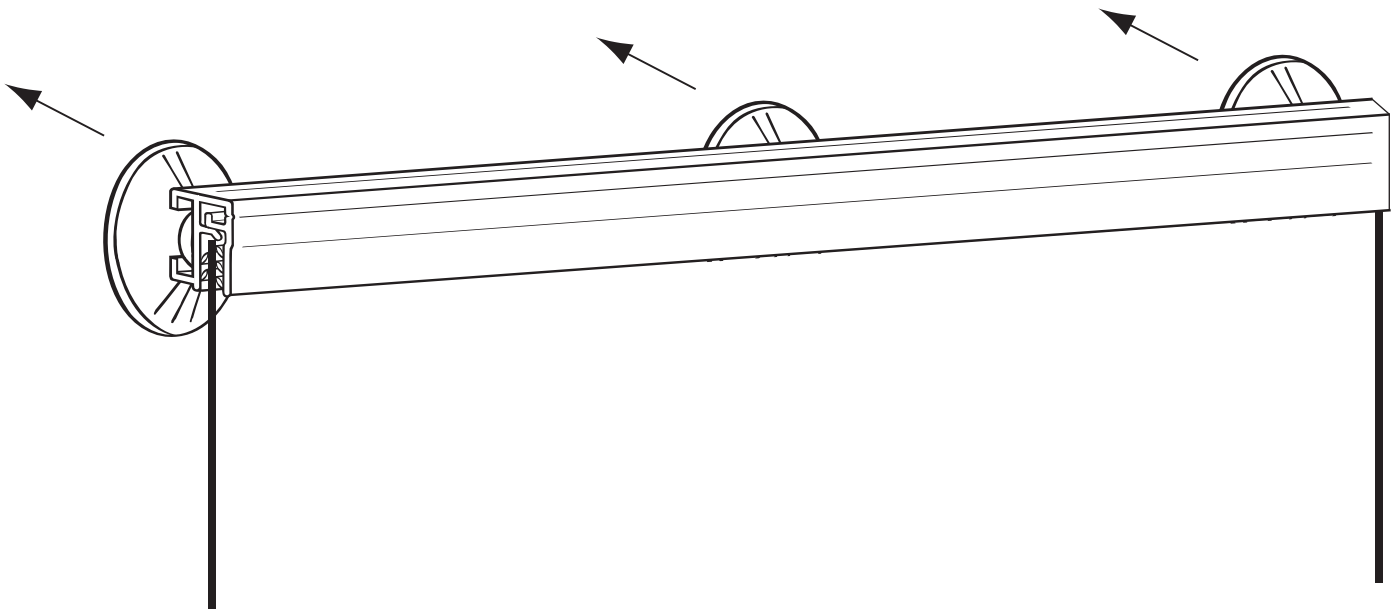


- ① Start at one end of Banner Hanger with Suction Cups. Pry open hinged side. Work your way down until banner is open. Insert Banner, snap shut to lock banner in place.



**CAUTION:**  
Do not feed banner into clamping mechanism.

**NOTE:** See illustration (above) to determine how far to insert banner into Banner Hanger. Inserting banner too far into Banner Hanger may damage its hinge.



- ② **NOTE:** Clean window with glass cleaner first. Lift banner assembly toward window. Press Suction Cups against window to secure. Installation is complete.